



by dave.

## Project Table

Thoughtfully designed and carefully made using our in-house machinery and processes. Made from solid American Oak, both frame and top. Hand finished to a quality we are proud of.

The Project Table is based on a unique six leg design. The four outer legs provide tradition corner support whilst two central legs are used to consolidate the table span into a central beam. This arrangement allows for varying table widths and lengths to suit your particular need.

Our Project Tables are available in a Narrow and Wide frame type and are made to order. Our standard lead time is 4-6 weeks.

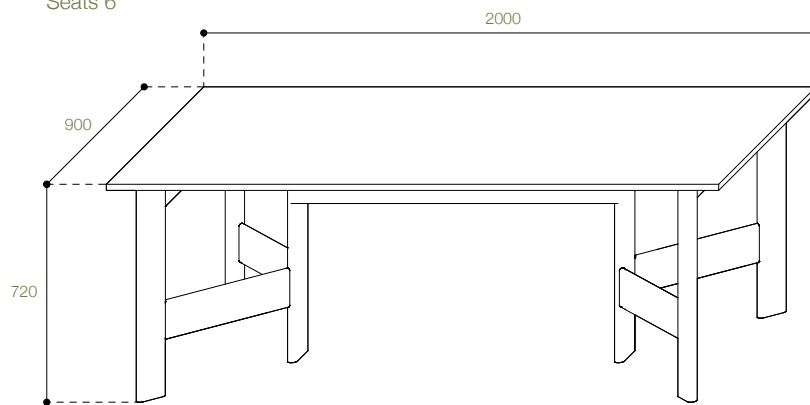




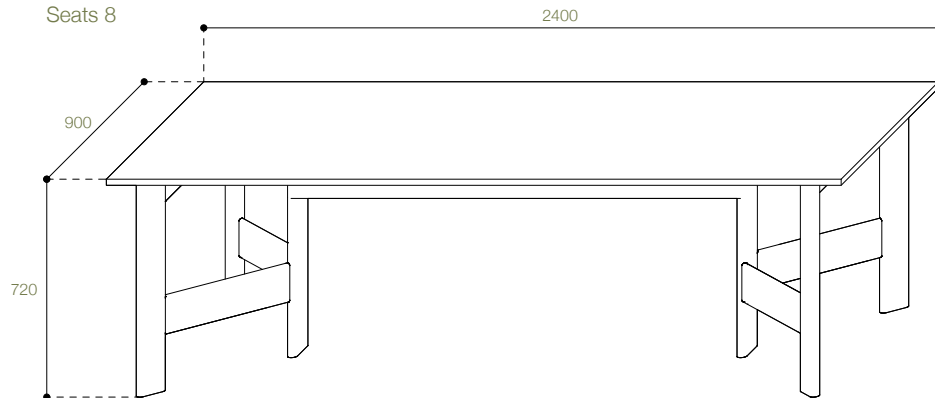
by dave.

## Project Table Narrow Frame Options/

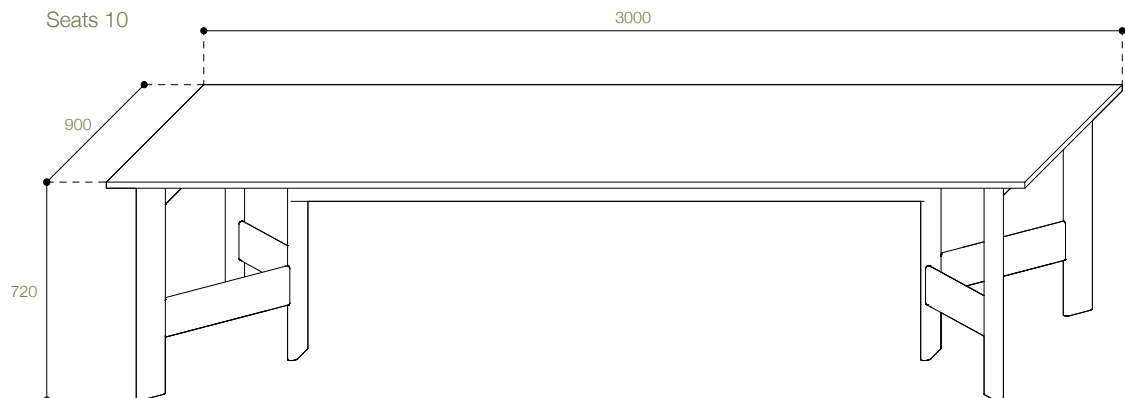
Narrow Small  
Seats 6



Narrow Medium  
Seats 8



Narrow Long  
Seats 10





by dave.

## Project Table Wide Frame Options/

